

# PE Flex<sup>™</sup> Plus

## LOW-PRESSURE FLUID TRANSPORT, WITH HYDROCARBON AND PARAFFIN RESISTANCE

Providing major advantages over conventional HDPE pipe, PE Flex<sup>®</sup> Plus is the best choice for long, continuous runs transporting fluids below 300 psi. Featuring a nylon liner for protection against hydrocarbon contamination, it requires no pressure derating for hydrocarbons, even at higher temperatures.

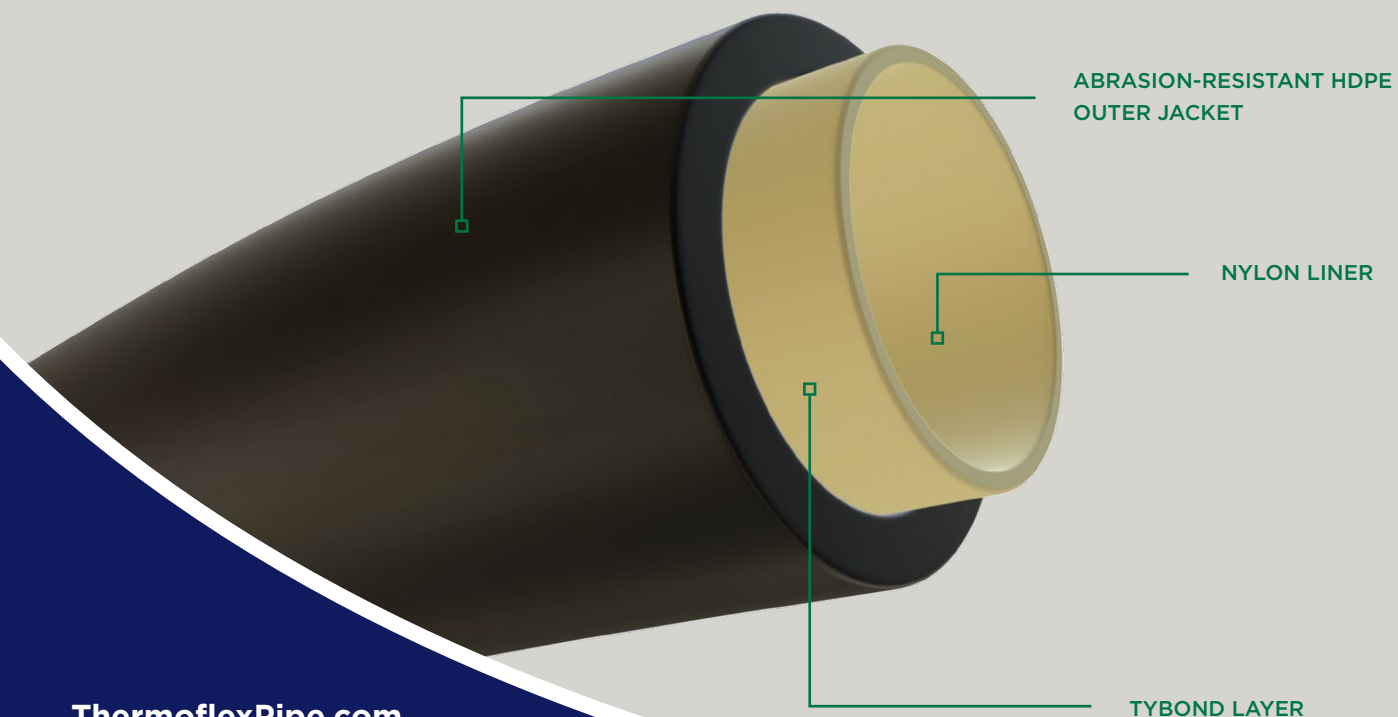
# PE Flex<sup>™</sup> Plus RT

## LOW-PRESSURE TRANSPORT OF FLUIDS UP TO 180°F

PE Flex<sup>®</sup> Plus RT features all benefits of PE Flex Plus, along with a nylon liner with a PE-RT backer to withstand higher temperatures.

### Triple-Layer Protection

---



PRODUCT	Outside Diameter (in.)	Internal Diameter (in.)	Maximum Pressure (psi)	Minimum Short-term Burst pressure (psi)	Max Temp. °F	Minimum Bend Radius (ft.)	Weight (lbs./ft.)	Length per Reel (ft.)	Loaded Reel Weight (lbs.)	Reel Size (ft.)
<b>PE FLEX™ PLUS PIPE</b>	<b>A Nylon PA6 liner and a high density polyethylene backer make PE Flex Plus superior for continuous runs transporting fluids below 300 psi.</b>									
PE Flex Plus 2.0	2.375	1.729	240 (70°F) 150 (140°F)	>600 (70°F) >375 (140°F)	140°	4	0.88	8,850	8,810	12
PE Flex Plus 3.0	3.5	2.600				5.8	1.82	3,600	7,540	12
PE Flex Plus 4.0	4.5	3.372				7.5	2.93	2,300	7,740	12
PE Flex Plus 6.0	6.625	5.013				11	6.17	915	8,250	14.5
<b>PE FLEX™ PLUS RT PIPE</b>	<b>A Nylon liner and a PE-RT backer make PE Flex RT excellent for transporting fluids up to 180°F.</b>									
PE Flex RT 2.0	2.375	1.729	240 (70°F) 120 (180°F)	>600 (70°F) >300 (180°F)	180°	4	0.88	8,850	8,810	12
PE Flex RT 3.0	3.5	2.600				5.8	1.82	3,600	7,540	12
PE Flex RT 4.0	4.5	3.372				7.5	2.93	2,300	7,740	12
PE Flex RT 6.0	6.625	5.013				11	6.17	915	8,250	14.5

## Coupling Options

### Mechanical

With 10-times faster installation in any weather, this reliable method requires no special tools or extra time for heating or cooling. It's suitable for new, used or dirty pipe, providing connections that meet or exceed pipe pressure ratings.



### Electrofusion

Featuring a lower per-unit cost, this method joins pipes by melting surfaces together. Suitable for all fluid types, it offers GPS traceability, superior corrosion resistance and fusion consistency with no loss of pipe ID or joint strength.



**PE Flex Plus and PE Flex RT Pipe Pressure Ratings Versus Temperature Service with Crude Oil**

