



STRONG AS STEEL – AND MORE DURABLE

Thermoflex® pipe is a spoolable, reliable solution for hydrocarbons, refined fuels and chemicals, delivering the greatest strength-to-weight ratio, chemical compatibility and paraffin build-up resistance in reinforced thermoplastic pipes. The proprietary five-layer construction of Thermoflex pipe goes beyond conventional pipe options, standing up to high pressure and extreme corrosive environments.



High H₂S, Corrosive and Bacterial Environments

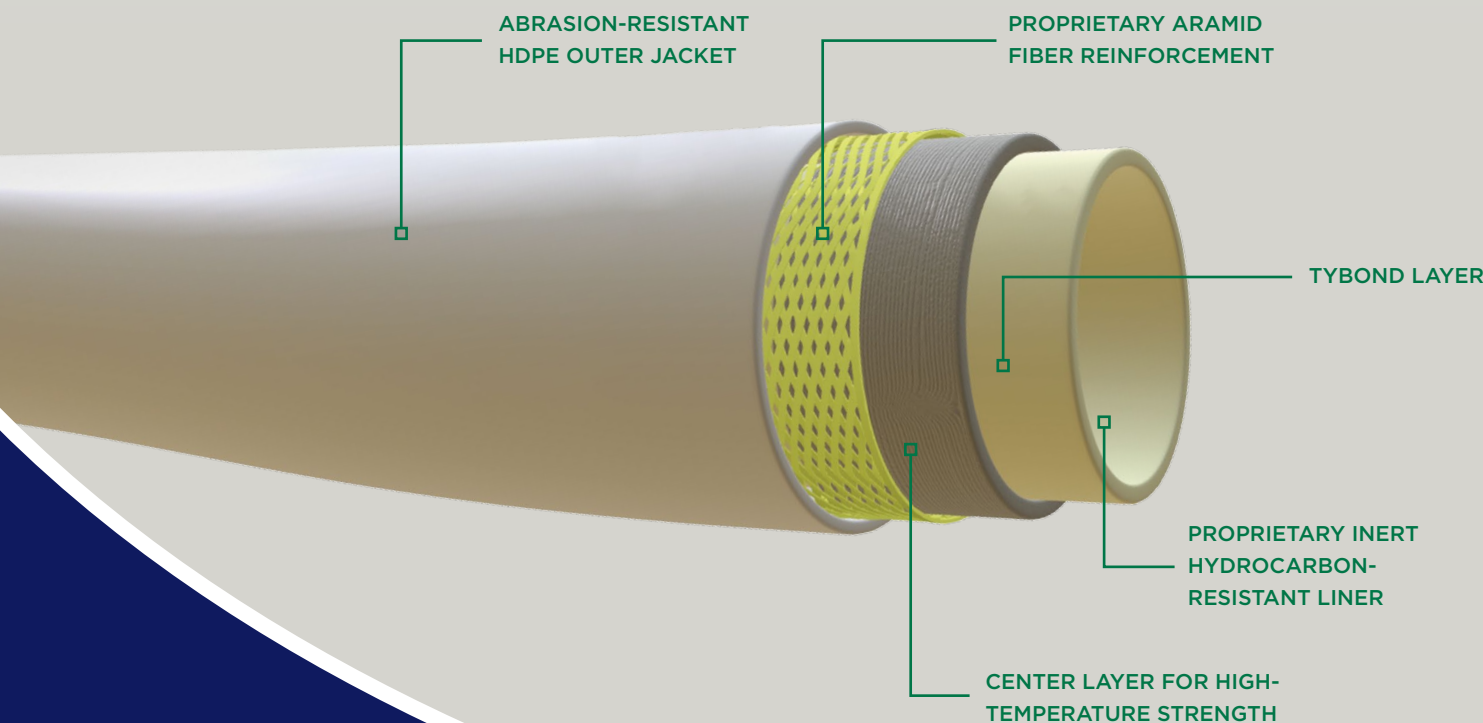
With an inner Polyphenylene Sulfide (PPS) layer, Thermoflex Plus resists harsh chemicals and is a superior choice for extremely corrosive environments.



For Ecofriendly Applications, High Performance and Competitive Prices

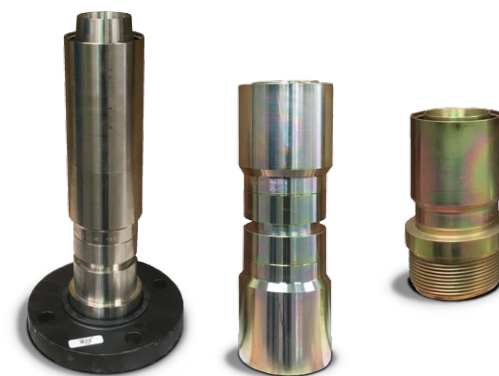
Combining HDPE with reinforced Aramid fiber, Thermoflex ECO is ideal for fresh water, produced water and disposal lines, including oil and gas flowlines.

Five Layers of Reinforcement



PRODUCT	Outside Diameter (in.)	Internal Diameter (in.)	Max. Pressure (PSI)							Minimum Bend Radius (ft.)	Reel Size (ft.)	Max Reel Weight (lbs.)
THERMOFLEX ECO												
An HDPE Liner makes Thermoflex ECO and excellent choice for water transport and salt water disposal.												
Thermoflex ECO® 2.375	2.35	1.90	MAOP	275	500	750	1,000	1,500	2,000	3.92	10.3	3,726
			length/reel	6,600	6,600	6,250	6,600	6,600	5,100			
Thermoflex ECO® 3.0	3.05	2.52	MAOP	275	500	750	1,000	1,500		5.08	12	5,968
			length/reel	3,300	3,600	2,600	2,600	2,500				
Thermoflex ECO® 3.5	3.50	2.89	MAOP	275	500	750	1,000	1,500		5.83	12	6,279
			length/reel	3,900	3,700	3,750	3,900	3,900				
Thermoflex ECO® 4.0	4.04	3.36	MAOP	275	500	750	1,000	1,500		6.73	12	4,217
			length/reel	2,900	2,140	2,850	2,300	1,850				
Thermoflex ECO® 4.5	4.55	3.81	MAOP	275	500	750	1,000			7.58	12	4,402
			length/reel	2,100	1,700	2,100	1,600					
Thermoflex ECO® 5.0	5.12	4.25	MAOP	275	500	750	1,000			8.53	14.5	4,882
			length/reel	1,300	1,350	950	1,400					
Thermoflex ECO® 6.0	6.06	5.03	MAOP	275	500	750				10.1	14.5	3,304
			length/reel	900	940	600						
THERMOFLEX												
A nylon PA6/P12 polyphenylene liner makes Thermoflex pipe the ideal choice for a broad spectrum of applications.												
Thermoflex 2.375	2.35	1.90	MAOP	275	500	750	1,000	1,500	2,000	3.92	10.3	3,726
			length/reel	6,600	6,600	6,250	6,600	6,600	5,100			
Thermoflex® 3.0	3.05	2.52	MAOP	275	500	750	1,000	1,500		5.08	12	5,968
			length/reel	3,300	3,600	2,600	2,600	2,500				
Thermoflex® 3.5	3.50	2.89	MAOP	275	500	750	1,000	1,500		5.83	12	6,279
			length/reel	3,900	3,700	3,750	3,900	3,900				
Thermoflex® 4.0	4.04	3.36	MAOP	275	500	750	1,000	1,500		6.73	12	4,217
			length/reel	2,900	2,140	2,850	2,300	1,850				
Thermoflex® 4.5	4.55	3.81	MAOP	275	500	750	1,000			7.58	12	4,402
			length/reel	2,100	1,700	2,100	1,600					
Thermoflex® 5.0	5.12	4.25	MAOP	275	500	750	1,000			8.53	14.5	4,882
			length/reel	1,300	1,350	950	1,400					
Thermoflex® 6.0	6.06	5.03	MAOP	275	500	750				10.1	14.5	3,304
			length/reel	900	940	600						
THERMOFLEX PLUS												
A polyphenylene sulfide (PPS) liner makes Thermoflex Plus pipe ideal for transporting sour gas and for use in highly corrosive environments.												
Thermoflex 2.375	2.35	1.90	MAOP	275	500	750	1,000	1,500	2,000	3.92	10.3	3,726
			length/reel	6,600	6,600	6,250	6,600	6,600	5,100			
Thermoflex® 3.0	3.05	2.52	MAOP	275	500	750	1,000	1,500		5.08	12	5,968
			length/reel	3,300	3,600	2,600	2,600	2,500				
Thermoflex® 3.5	3.50	2.89	MAOP	275	500	750	1,000	1,500		5.83	12	6,279
			length/reel	3,900	3,700	3,750	3,900	3,900				
Thermoflex® 4.0	4.04	3.36	MAOP	275	500	750	1,000	1,500		6.73	12	4,217
			length/reel	2,900	2,140	2,850	2,300	1,850				
Thermoflex® 4.5	4.55	3.81	MAOP	275	500	750	1,000			7.58	12	4,402
			length/reel	2,100	1,700	2,100	1,600					
Thermoflex® 5.0	5.12	4.25	MAOP	275	500	750	1,000			8.53	14.5	4,882
			length/reel	1,300	1,350	950	1,400					
Thermoflex® 6.0	6.06	5.03	MAOP	275	500	750				10.1	14.5	3,304
			length/reel	900	940	600						

All products offered in 150°F or RT (raised temp 180°F)



Thermoflex Couplings & Fittings

- No welding required or makeup needed for flanges or thread joints
- Coupling options include NPT or BSPT threads, weld end, and API 6A/ASME B16.5 flange—all can mate with standard or custom pipe sizes
- Termination fittings connect to common oilfield infrastructure
- Available in carbon steel, 316 stainless steel, 2205 duplex stainless steel or Polyphenylene Sulfide (PPS) coated



POLYFLOW

Contact us at (432) 686-2001
or sales@polyflowglobal.com

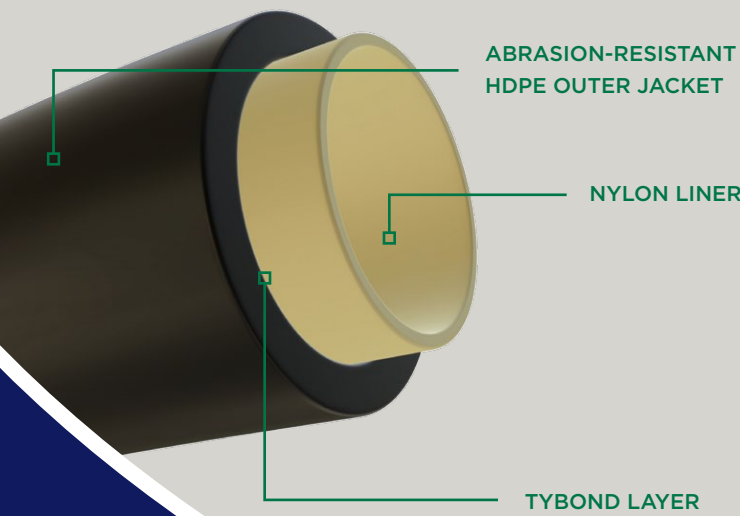
LOW-PRESSURE FLUID TRANSPORT, WITH HYDROCARBON AND PARAFFIN RESISTANCE

Providing major advantages over conventional HDPE pipe, PE Flex Plus is the best choice for long, continuous runs transporting fluids below 300 psi. Featuring a nylon liner for protection against hydrocarbon contamination, it requires no pressure derating for hydrocarbons, even at higher temperatures.

LOW-PRESSURE TRANSPORT PE Flex Plus RT OF FLUIDS UP TO 150°F

PE Flex Plus RT features all benefits of PE Flex Plus, along with a nylon liner with a PE-RT backer to withstand higher temperatures.

Triple-Layer Protection



Coupling Options

Mechanical

With 10-times faster installation in any weather, this reliable method requires no special tools or extra time for heating or cooling. It's suitable for new, used or dirty pipe, providing connections that meet or exceed pipe pressure ratings.



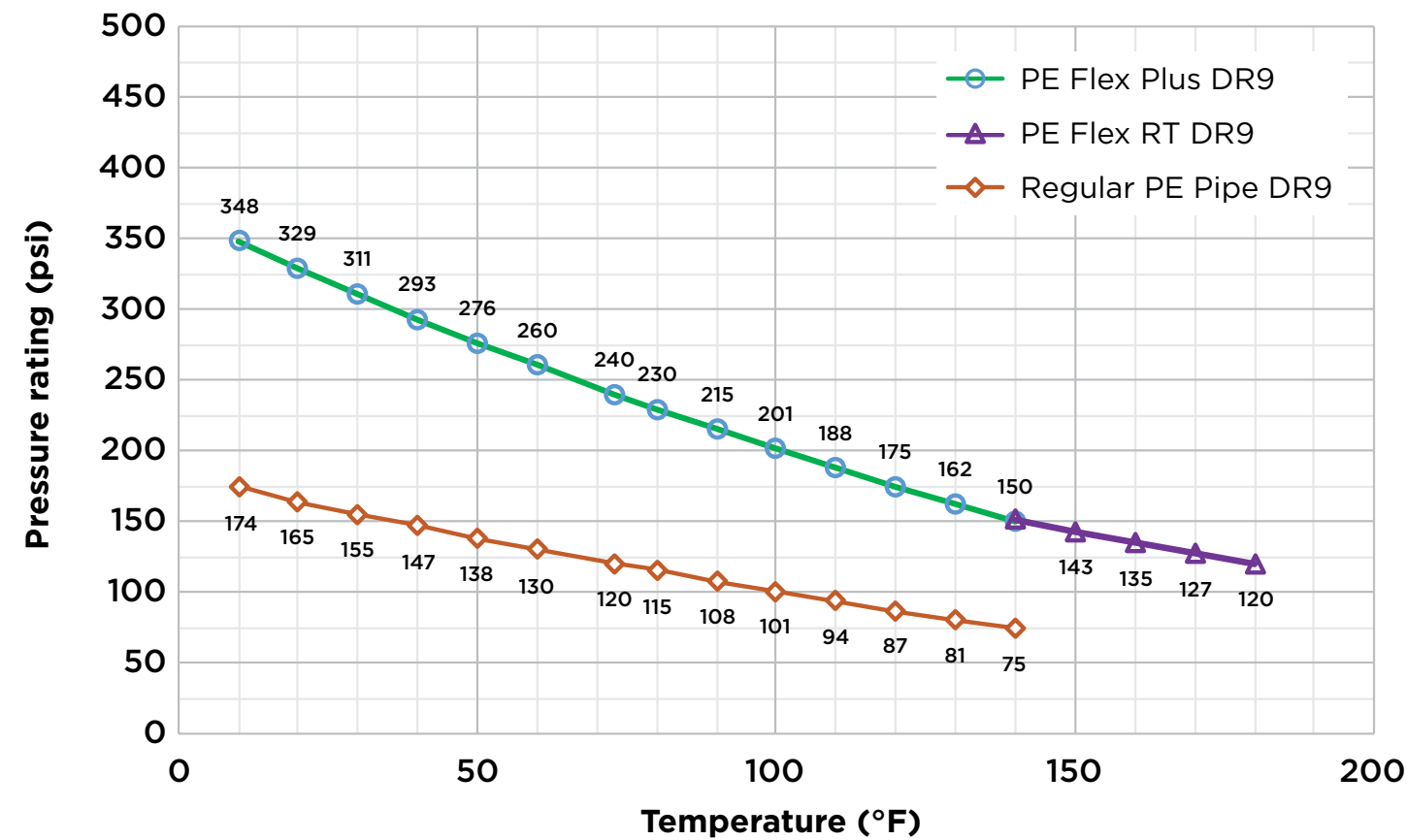
Electrofusion

Featuring a lower per-unit cost, this method joins pipes by melting surfaces together. Suitable for all fluid types, it offers GPS traceability, superior corrosion resistance and fusion consistency with no loss of pipe ID or joint strength.



PRODUCT	Outside Diameter (in.)	Internal Diameter (in.)	Maximum Pressure (psi)	Minimum Short-term Burst pressure (psi)	Max Temp. °F	Minimum Bend Radius (ft.)	Weight (lbs./ft.)	Length per Reel (ft.)	Loaded Reel Weight (lbs.)	Reel Size (ft.)
PE FLEX™ PLUS PIPE A Nylon PA6 liner and a high density polyethylene backer make PE Flex Plus superior for continuous runs transporting fluids below 300 psi.										
PE Flex Plus 2.0	2.375	1.729	240 (70°F) 150 (140°F)	>600 (70°F) >375 (140°F)	140°	4	0.88	8,850	8,810	12
PE Flex Plus 3.0	3.5	2.600				5.8	1.82	3,600	7,540	12
PE Flex Plus 4.0	4.5	3.372				7.5	2.93	2,300	7,740	12
PE Flex Plus 6.0	6.625	5.013				11	6.17	915	8,250	14.5
PE FLEX™ PLUS RT PIPE A Nylon liner and a PE-RT backer make PE Flex RT excellent for transporting fluids up to 180°F.										
PE Flex RT 2.0	2.375	1.729	240 (70°F) 120 (180°F)	>600 (70°F) >300 (180°F)	180°	4	0.88	8,850	8,810	12
PE Flex RT 3.0	3.5	2.600				5.8	1.82	3,600	7,540	12
PE Flex RT 4.0	4.5	3.372				7.5	2.93	2,300	7,740	12
PE Flex RT 6.0	6.625	5.013				11	6.17	915	8,250	14.5

PE Flex Plus and PE Flex RT Pipe Pressure Ratings Versus Temperature Service with Crude Oil



Pressure ratings for regular single-wall Polyethylene pipe are calculated in accordance with PPI TR-9 and Handbook for PE pipe.



HIGH PRESSURES. HIGHER TEMPERATURES. UNMATCHED DURABILITY. BRING IT ON.

